

STATE OF HAWAII  
DEPARTMENT OF ACCOUNTING AND GENERAL SERVICES

HANAPEPE CHINESE, FILIPINO, AND  
PORTUGUESE CEMETERY  
REPAIRS AND IMPROVEMENTS

HANAPEPE, KAUAI  
T.M.K.: (4) 1-8-08: 018  
DAGS JOB NO. 14-10-1044

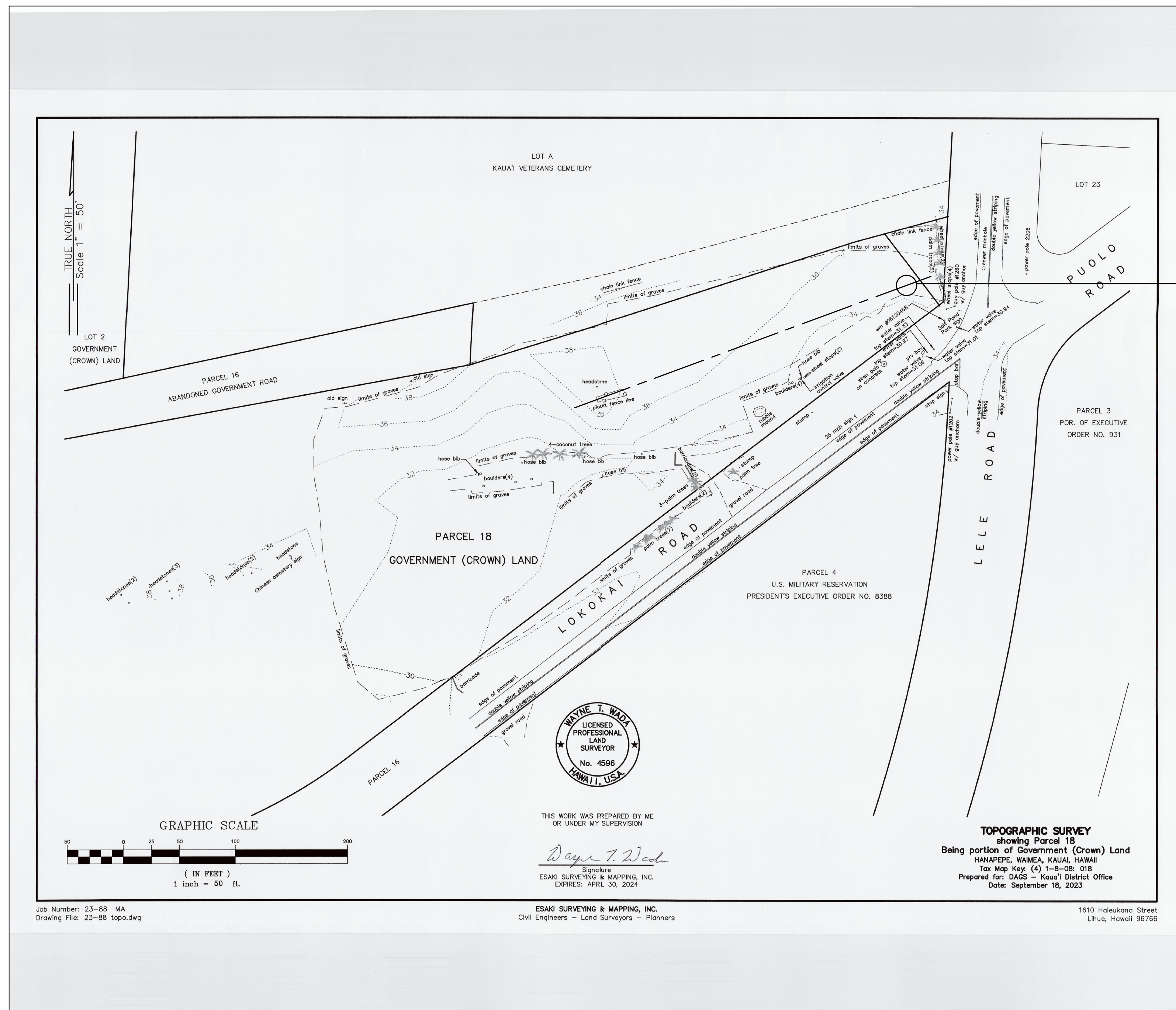
ARCHITECT: D.A.G.S. KAUAI DISTRICT OFFICE  
LAND SURVEYOR: ESAKI SURVEYING & MAPPING, INC.

PREPARED BY:

GENERAL NOTES

1. VERIFY FIELD DIMENSIONS AND EXISTING CONDITIONS PRIOR TO STARTING WORK. ALL OMISSIONS OR CONFLICTS BETWEEN THE WORKING DRAWINGS &/OR EXISTING SITE CONDITIONS SHALL BE BROUGHT TO THE ATTENTION OF THE ARCHITECT, BEFORE PROCEEDING WITH ANY WORK SO INVOLVED.
2. PROTECT ALL EXISTING ADJACENT STRUCTURES. ALL DAMAGES SHALL BE REPAIRED / REPLACED TO THE SATISFACTION OF THE ARCHITECT AT NO COST TO THE STATE.
3. DRAWINGS SHOWN BEYOND THE SCOPE OF WORK ARE FOR LOCATION REFERENCE ONLY. SITE CONDITIONS, DIMENSIONS, AND LOCATION SHALL BE VERIFIED IF USED BEYOND THE SCOPE OF THIS PROJECT.
4. CONTRACTOR SHALL VISIT THE JOB SITE PRIOR TO HIS / HER BID PROPOSAL TO FAMILIARIZE THEMSELVES WITH THE EXISTING SITE CONDITIONS.

INDEX OF DRAWINGS	
SHEET	DESCRIPTION
	PROJECT TITLE
T-1	SITE PLAN, INDEX OF DRAWINGS GENERAL NOTES, APPROVALS
	ARCHITECTURAL
A-1	MONUMENT FLOOR PLAN, ELEVATIONS, NOTES
A-2	FLOOR PLAN, SECTION, ELEVATION, NOTES
<b>A-3</b>	<b>PLANTAR FLOOR PLAN, SECTION</b>



MEMORIAL MONUMENT SEE SHEET A-1  
APPROX. LOCATION, VERIFY WITH ARCHITECT

ALIGN MEMORIAL MONUMENT AND  
BURIAL SITE PLANTER

BURIAL SITE PLANTER SEE SHEET A-3  
APPROX. LOCATION, VERIFY WITH ARCHITECT

APPROVALS

COMPTROLLER DEPARTMENT OF ACCOUNTING AND GENERAL SERVICES STATE OF HAWAII DATE

STATE PUBLIC WORKS ADMINISTRATOR DEPARTMENT OF ACCOUNTING AND GENERAL SERVICES STATE OF HAWAII DATE

REVISION NO.	SYM.	DESCRIPTION	SHF OF	DATE	APPROVED: PUBLIC WORKS ADMINISTRATOR
<p>DEPT. OF ACCOUNTING &amp; GENERAL SERVICES DIVISION OF PUBLIC WORKS STATE OF HAWAII</p> <p><b>HANAPEPE CHINESE, FILIPINO, AND PORTUGUESE CEMETERY REPAIRS AND IMPROVMENTS, KAUAI</b></p> <p>SITE PLAN, INDEX OF DRAWINGS GENERAL NOTES, APPROVALS</p>					
DESIGNED BY ESM		CHECKED BY EA		DAGS JOB NO. 14-10-1044	DRAWING NO. T-1
DRAWN BY ESM		APPROVED BY ESM		DATE JUNE 2026	SHEET 1
SCALE AS NOTED				DATE JUNE 2026	SHEETS 4

ESM

THIS WORK WAS PREPARED BY ME OR UNDER MY SUPERVISION  
*Edwin Santa Maria*  
MY LICENSE EXPIRES 4/30/28



**GENERAL NOTES**

1. THE CONTRACTOR SHALL VERIFY ALL FIELD DIMENSIONS AND CONDITIONS PRIOR TO STARTING WORK. ALL DISCREPANCIES SHALL BE PROMPTLY REPORTED TO THE ARCHITECT AT 808-274-3030.
2. ALL OMISSIONS OR CONFLICTS BETWEEN THE VARIOUS ELEMENTS OF THE WORKING DRAWINGS AND/OR SPECIFICATIONS SHALL BE BROUGHT TO THE ATTENTION OF THE ARCHITECT OR ENGINEER BEFORE PROCEEDING WITH ANY WORK SO INVOLVED.
3. ALL WORK SHALL CONFORM TO THE UNIFORM BUILDING CODE, LATEST EDITION, AS ADOPTED BY THE CITY AND COUNTY OF HONOLULU.
4. UNLESS SPECIFICALLY DETAILED ELSEWHERE, CONTRACTOR SHALL FOLLOW TYPICAL DETAILS ON THIS SHEET.

**CONCRETE**

1. ALL CONCRETE WORK SHALL CONFORM TO ACI 318-95. THE MINIMUM ULTIMATE COMPRESSIVE STRENGTH OF CONCRET AT 28 DAYS SHALL BE:  
 SLAB-ON-GRADE — 3,000 PSI (DESIGNED BASED ON 2,500 PSI)  
 MONUMENTS — 3,000 PSI (DESIGNED BASED ON 2,500 PSI)
2. LOCATIONS OF ALL CONSTRUCTION OR COLD JOINTS MUST BE APPROVED BY THE ARCHITECT.
3. SECURE ALL BOLTS, ANCHORS, INSERTS, ETC. AND VERIFY ALL GROOVES, SLOTS, AND FINISHES PRIOR TO PLACING CONCRETE.
4. 48 HOURS PRIOR TO THE POURING OF ANY STRUCTURAL CONCRETE, THE CONTRACTOR SHALL NOTIFY THE ARCHITECT SO AN INSPECTION CAN BE MADE OF ALL FORMS AND REINFORCING STEEL.

**REINFORCING STEEL**

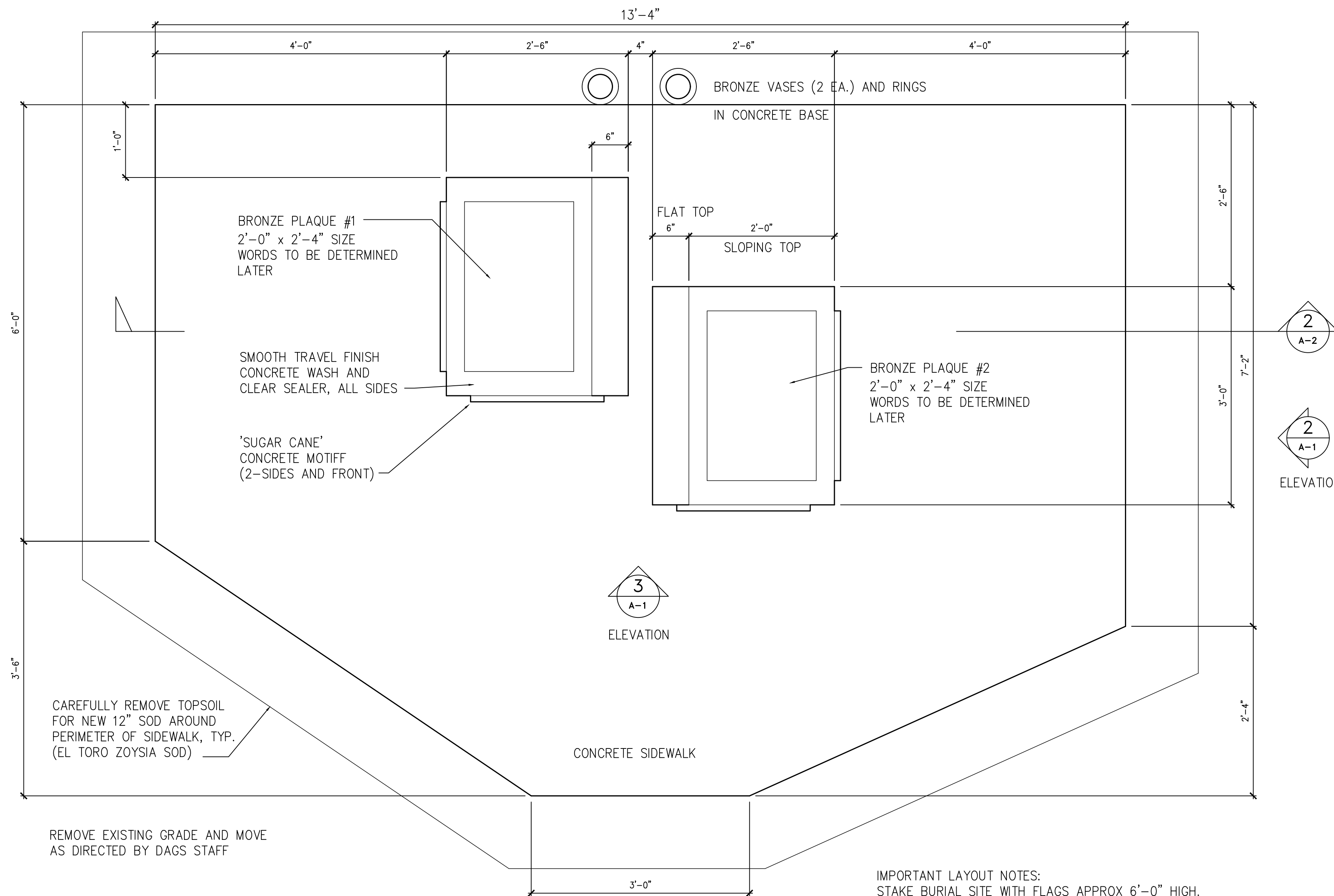
1. UNLESS OTHERWISE INDICATED ON PLANS AND/OR SCHEDULE, ALL REINFORCING STEEL SHALL BE HIGH STRENGTH GRADE DEFORMED BARS WHICH SHALL CONFORM TO THE STANDARD SPECIFICATION OF ASTM A615 GRADE 60 EXCEPT FOR STIRRUPS AND TIES WHICH SHALL BE GRADE 40.
2. LOW HYDROGEN WELDING RODS SHALL BE USED FOR ALL WELDING TO REINFORCING BARS.
3. REINFORCING SHALL BE SPLICED ONLY AS SHOWN OR NOTED IN DRAWINGS. ALL OTHER SPLICES SHALL BE APPROVED BY THE ARCHITECT.
4. BARS NOTED AS "CONT." SHALL HAVE A MINIMUM SPLICE LENGTH OF 40 BAR DIAMETER, BUT NOT LESS THAN 2'-0".
5. PROVIDE DOWELS IN FOOTINGS AND/OR GRADE BEAMS THE SAME SIZE AND SPACING AS COLUMN AND WALL REINFORCING. UNLESS NOTED OTHERWISE, PROVIDE A MINIMUM PROJECTION OF 40 BAR DIAMETER, BUT NOT LESS THAN 2'-0".
6. MINIMUM CONCRE COVER FOR REINFORCING BARS SHALL BE:  
 CONCRETE CAST AGAINST EARTH . . . . . 3"  
 CONCRETE EXPOSED TO EARTH OR WEATHER . . . . . 1 1/2"  
 FORMED SURFACES BELOW GRADE . . . . . 2"  
 SLAB-ON-GRADE TOP BARS . . . . . 1"

**CONCRETE MOLD**

1. SUGAR CANE MOTIFF MOLD SHALL BE INTEGRAL WITH THE CONCRETE POUR.
2. SUBMIT TO THE ARCHITECT FINAL MOTIFF DESIGN FOR APPROVALS. SILICONE MOLD SHALL BE PLACE ON THE CONCRETE FORMS INCLUDE RELEASE AGENTS ON THE MOLDS AND CONCRETE FORMS.
3. PROVIDE A FULL SIZE CONCRETE MOCKUP FOR ARCHITECT'S REVIEWS. MOCK UPS SHALL BE OFFSITE AND COORDINATED WITH ARCHITECT. MAKE REVISIONS AND ADJUSTMENTS THEN PROVIDE ANOTHER MOCKUP AT THE DIRECTION OF THE ARCHITECT.
4. SUBSTITUTION REQUEST SHALL BE SUBMITTED PRIOR TO BIDDING.

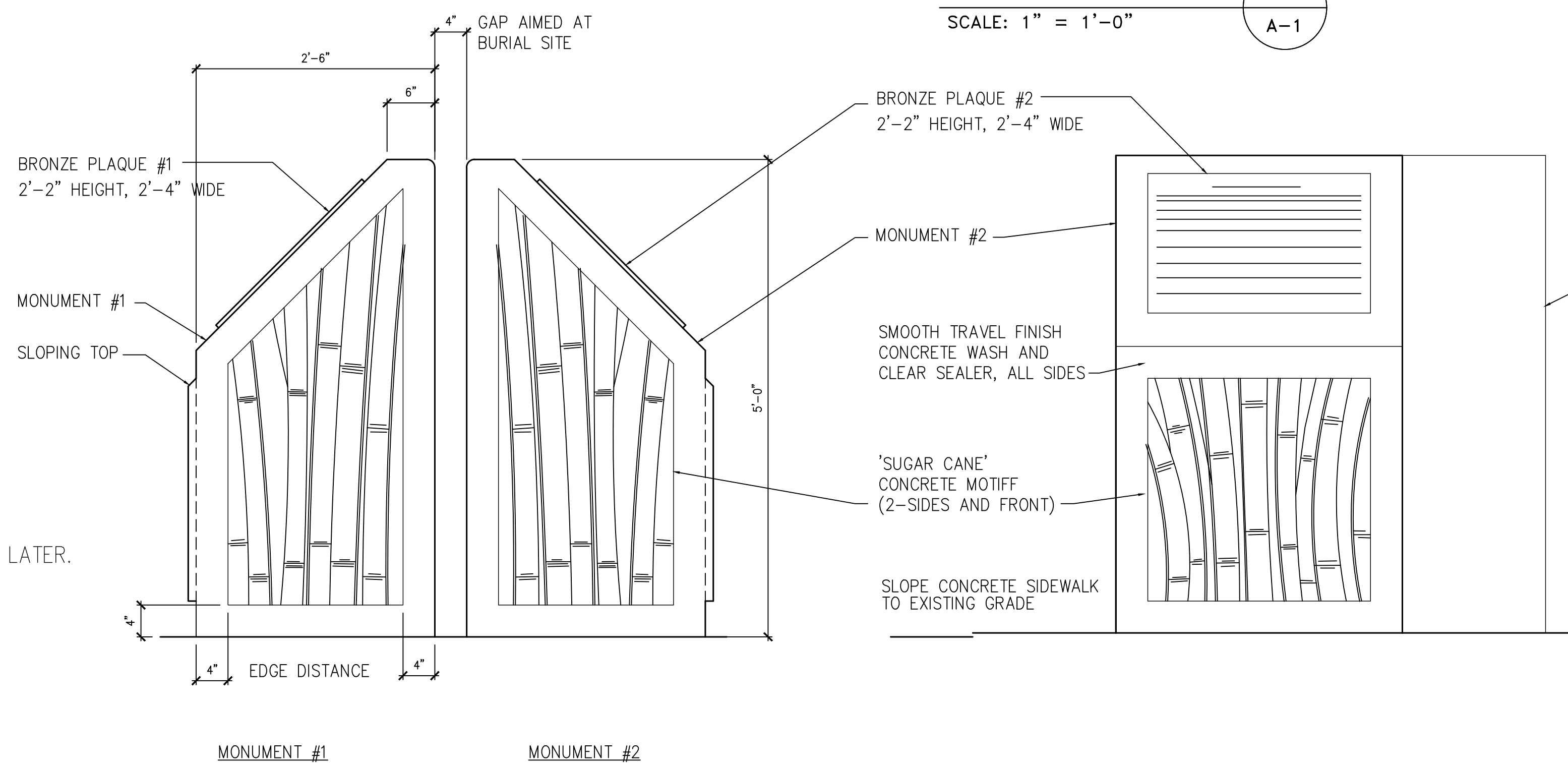
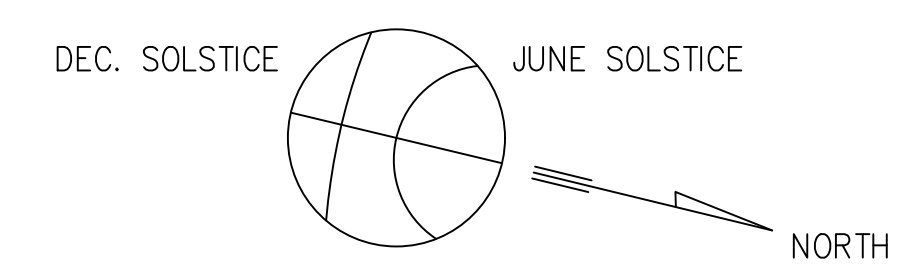
**BRONZE PLAQUES**

1. BRONZE PLAQUES SHALL BE CAST AND FINAL 150 WORDS ARE TO BE DETERMINED LATER. SUBMIT SHOP DRAWINGS TO ARCHITECT FOR REVIEWS AND APPROVAL.  
 BRONZE FINISH...LIGHT OXIDIZED  
 BRONZE BACKGROUND...BROWN  
 CLEAR COAT OVER BRONZE PLAQUES
2. SUBMIT FOR REVIEWS THE AVAILABLE FONT STYLE AND SIZE AS A SUBMITTAL.
3. ADVANTAGE SIGNS & GRAPHICS, INC; WWW.METALPLAQUES.COM ONLY TO BE USED AS REFERENCE, OTHER MANUFACTURERS OF SIMILAR BRONZE PLAQUES SHALL BE EQUIVALENT FOR BIDDING PURPOSES.
4. BRONZE VASE AND RINGS (3 TOTAL) "ELZ VASE PLAIN AND 5.75" RING" (NOBLEBRONZE.COM) EQUIVALENT FOR BIDDING PURPOSES.



**FLOOR PLAN** 1  
 SCALE: 1" = 1'-0" A-1

**IMPORTANT LAYOUT NOTES:**  
 STAKE BURIAL SITE WITH FLAGS APPROX 6'-0" HIGH.  
 MONUMENT ALIGNMENT SHALL PLACE THE FLAGS BETWEEN BOTH MONUMENTS.  
 VERIFY ALIGNMENT WITH ARCHITECT, CALL 808-274-3030 PRIOR TO FINAL LAYOUT. RECEIVE APPROVAL FOR FINAL LAYOUT



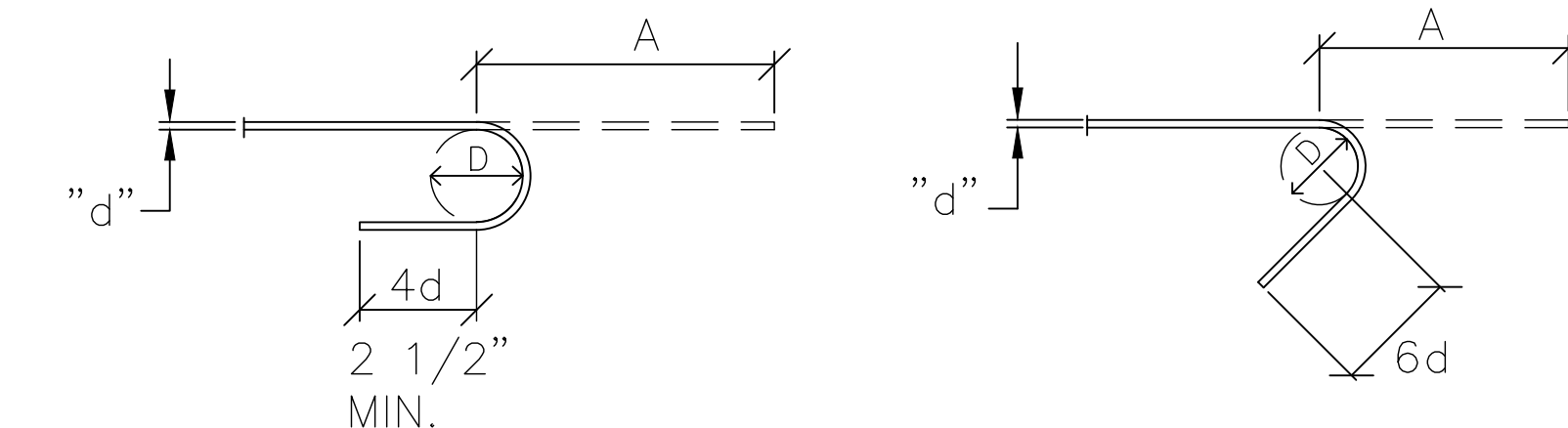
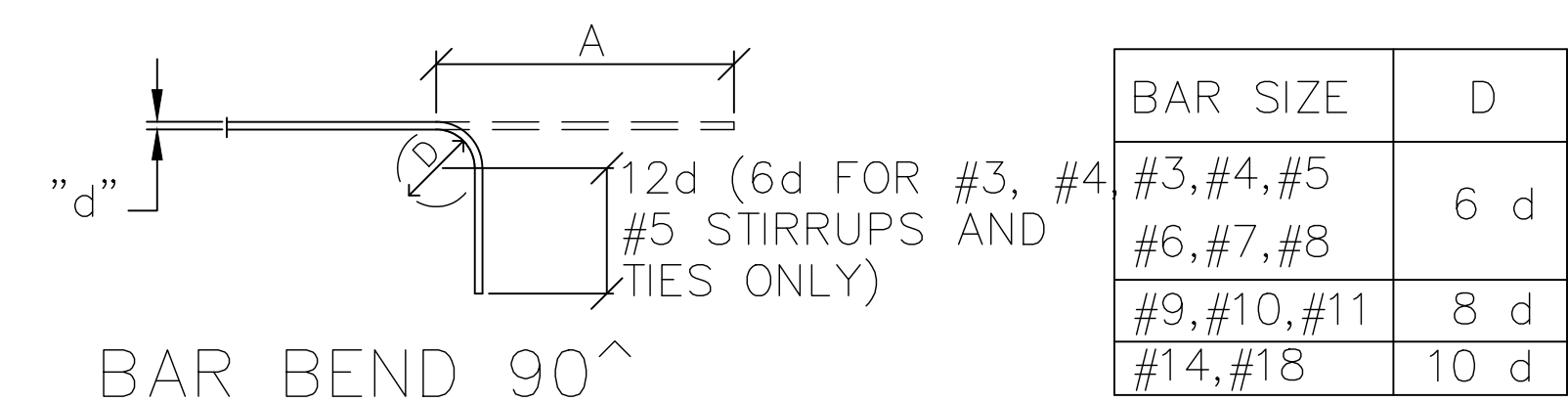
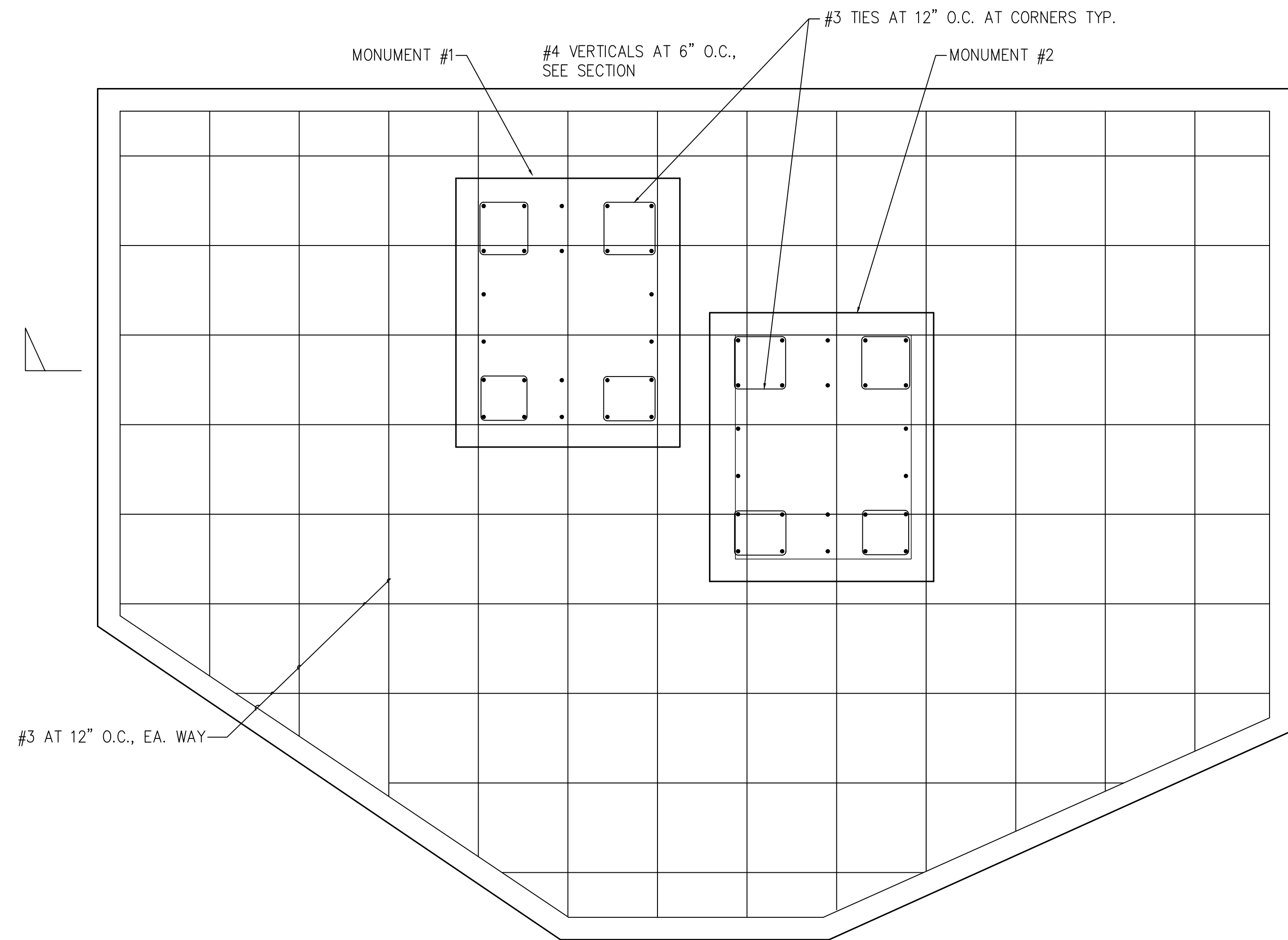
**SIDE ELEVATION** 3  
 SCALE: 1" = 1'-0" A-1

**FRONT ELEVATION** 2  
 SCALE: 1" = 1'-0" A-1

REVISION NO.	SYM.	DESCRIPTION	SHT OF	DATE	APPROVED: PUBLIC WORKS ADMINISTRATOR

		DEPT. OF ACCOUNTING & GENERAL SERVICES DIVISION OF PUBLIC WORKS STATE OF HAWAII	
THIS WORK WAS PREPARED BY ME OR UNDER MY SUPERVISION Edwin Santa Maria MY LICENSE EXPIRES 4/30/28		HANAPEPE CHINESE, FILIPINO, AND PORTUGUESE CEMETERY REPAIRS AND IMPROVEMENTS, KAUAI MONUMENT FLOOR PLAN, ELEVATIONS, NOTES	
DSGS KAUAI DISTRICT OFFICE		DSGS JOB NO. 14-10-1044	
DESIGNED BY ESM	CHECKED BY EA	DATE 14-10-1044	DRAWING NO. A-1
DRAWN BY ESM	APPROVED BY EA	DATE JUNE 2026	SHEET 2
SCALE AS NOTED		DATE JUNE 2026	OF 3 SHEETS

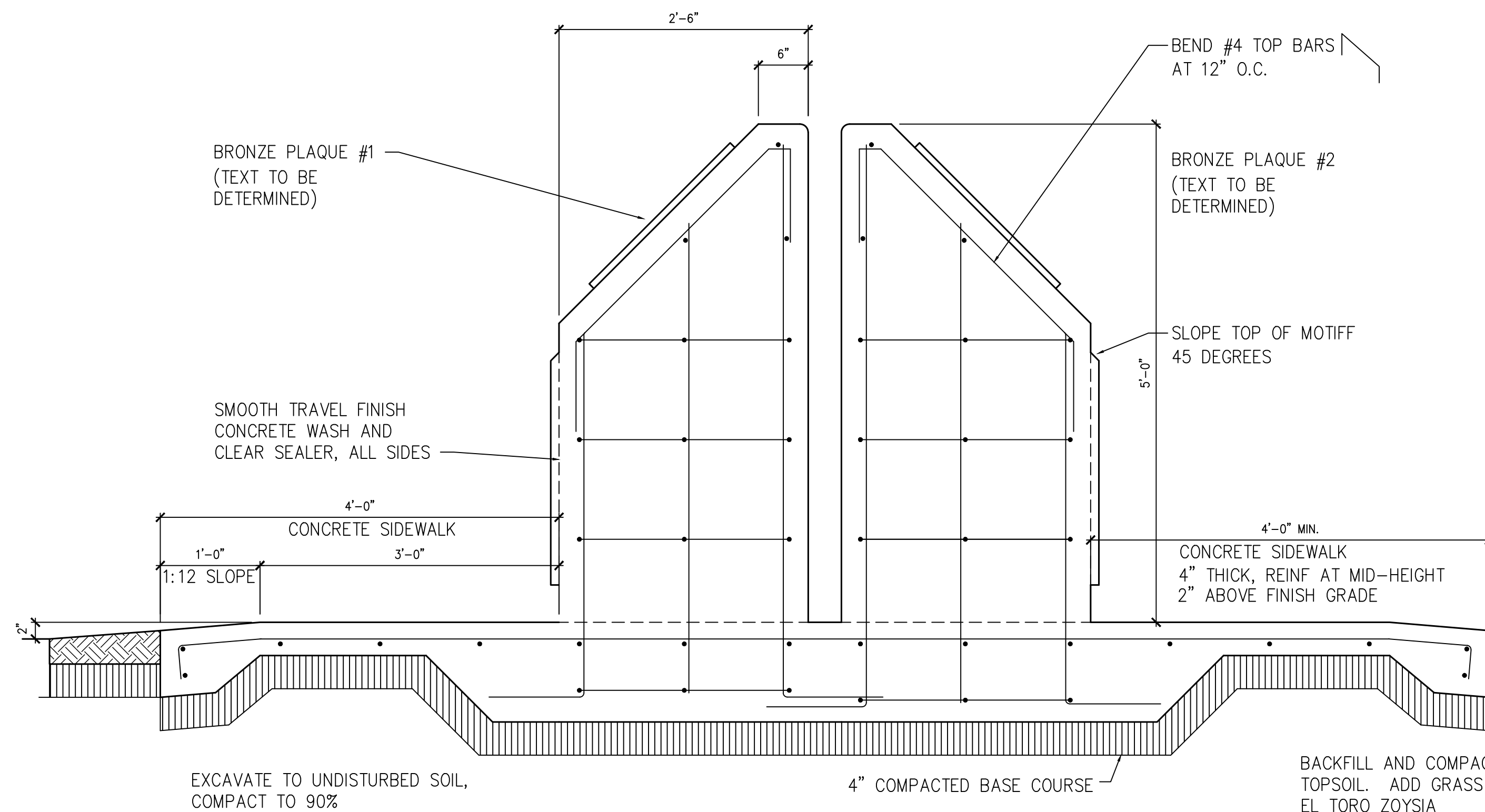


MINIMUM EXTENSION LENGTHS "A"

BAR SIZE	MINIMUM EXTENSION LENGTHS "A"			
	STANDARD HOOKS 180° HOOKS	STANDARD HOOKS 90° HOOKS	TIES AND STIRRUPS 90° HOOKS	TIES AND STIRRUPS 135° HOOKS
#3	6"	7"	5"	6"
#4	8"	9"	6"	7"

**FLOOR PLAN**  
SCALE: 1" = 1'-0"

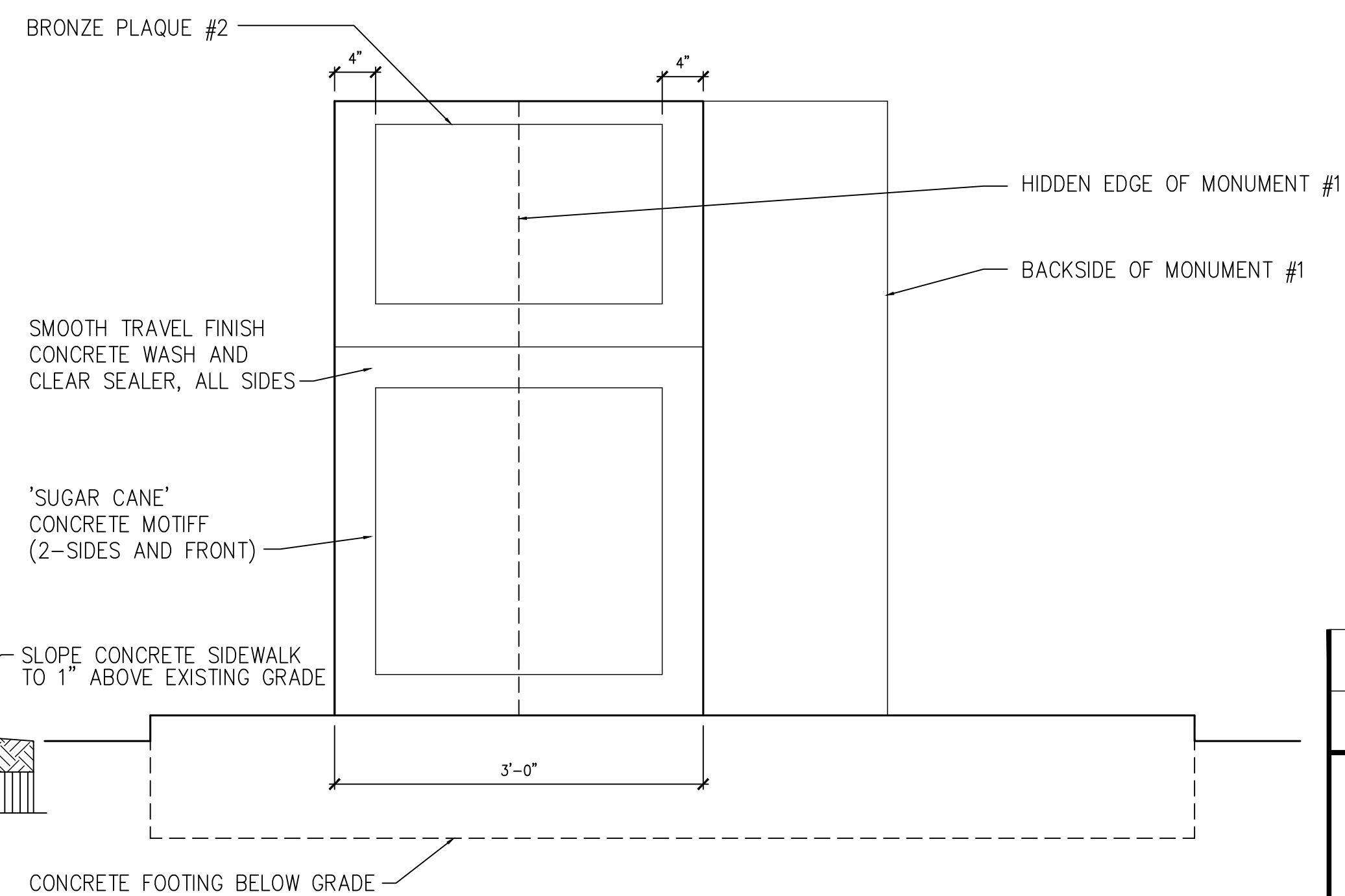
1  
A-2



**SECTION**  
SCALE: 1" = 1'-0"

2  
A-2


RELOCATE EXCAVATED AND TOPSOIL AS DIRECTED BY DAGS STAFF. PROPERLY DISPOSE OF DEBRIS



**FRONT ELEVATION**  
SCALE: 1" = 1'-0"

3  
A-2

REVISION NO.	SYM.	DESCRIPTION	SHT OF	DATE	APPROVED: PUBLIC WORKS ADMINISTRATOR


**DEPT. OF ACCOUNTING & GENERAL SERVICES**  
 DIVISION OF PUBLIC WORKS  
 STATE OF HAWAII  
**HANAPEPE CHINESE, FILIPINO, AND PORTUGUESE CEMETERY**  
**REPAIRS AND IMPROVEMENTS, KAUAI**  
 FLOOR PLAN, SECTION, ELEVATION, NOTES  
**DAGS KAUAI DISTRICT OFFICE**      DAGS JOB NO.      DRAWING NO.  
 DESIGNED BY: ESM      CHECKED BY: EA      14-10-1044      A-2  
 DRAWN BY: ESM      APPROVED BY: EA      DATE      SHEET  
 SCALE: AS NOTED      JUNE 2026      3  
 MY LICENSE EXPIRES 4/30/28      OF 3 SHEETS